

BLANKE T-TRANSITION PROFILE (JOINT COVER)

The BLANKE T-TRANSITION PROFILE is available in aluminum, brass, chrome-plated brass, or stainless steel for attractive, decorative transitions.



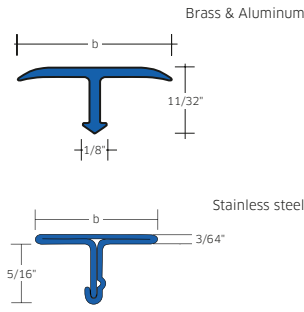
BRASS			8.0
NATURAL			
Length: 8.0 feet		Pack: 1 pc.	
w/in.	Part no.	\$/pc.	
1/32	449-300-1425	18.36	
1/8	449-300-2025	31.16	

BRASS			8.0
CHROME-PLATED			
Length: 8.0 feet		Pack: 1 pc.	
w/in.	Part no.	\$/pc.	
1/32	449-340-1425	45.62	
1/8	449-340-2025	52.85	

STAINLESS STEEL			8.0
BRUSHED			
Length: 8.0 feet		Pack: 1 pc.	
w/in.	Part no.	\$/pc.	
1/32	449-280B-1425	34.14	
1	449-280B-2525	38.93	

ALUMINUM			8.0
NATURAL			
Length: 8.0 feet		Pack: 1 pc.	
w/in.	Part no.	\$/pc.	
1/32	449-400-1425	6.23	
1/8	449-400-2025	7.57	

ALUMINUM			8.0
SATIN SILVER, ANODIZED			
Length: 8.0 feet		Pack: 1 pc.	
w/in.	Part no.	\$/pc.	
1/32	449-410-1425	9.80	
1/8	449-410-2025	13.06	

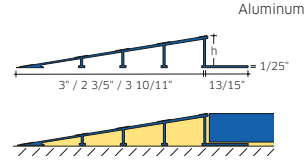


BLANKE DRIVE

BLANKE DRIVE is a transition and renovation profile for transitions exposed to small wheel and roll-on traffic. Ideal for connections from tile to concrete or PVC floorings that require a gradual slope to reduce mechanical stress and eliminate trip hazards.



ALUMINUM			8.0
SATIN SILVER, ANODIZED			
Length: 8.0 feet		Pack: 1 pc.	
w/in.	Part no.	\$/pc.	
3/8	580-410-10025	40.17	
1/2	580-410-12525	41.89	
19/32	580-410-15025	52.03	



Important note:
This profile is ADA compliant.