

BLANKE CORNER ANGLE

The BLANKE CORNER ANGLES are designed where tiled wall corners need to be protected from mechanical impact in industrial and professional environments. The stainless steel profile creates a strong edge with a clean and decorative finish for outside wall corners. The double-backed glue strips allow BLANKE CORNER ANGLE profiles to adhere directly to the wall tile for easy installation.



STAINLESS STEEL 8.0 BRUSHED, WITH GLUE STRIP

Length: 8.0 feet Pack: 1 pc.

h/in.	Part no.	\$/pc.
1 3/16 × 1 3/16	364-280-03025	96.75
1 3/8 × 1 3/8	364-280-04025	121.83
2 3/25 × 2 3/25	364-280-06025	146.91

STAINLESS STEEL 6.7 BRUSHED, WITH GLUE STRIP

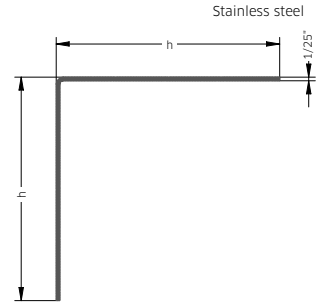
Length: 6.7 feet Pack: 1 pc.

h/in.	Part no.	\$/pc.
1 3/16 × 1 3/16	364-280-0302	90.36
1 3/8 × 1 3/8	364-280-0402	110.53
2 3/25 × 2 3/25	364-280-0602	134.87

STAINLESS STEEL 4.11 BRUSHED, WITH GLUE STRIP

Length: 4.11 feet Pack: 1 pc.

h/in.	Part no.	\$/pc.
1 3/16 × 1 3/16	364-280-03015	64.71
1 3/8 × 1 3/8	364-280-04015	86.86
2 3/25 × 2 3/25	364-280-06015	95.43



STAINLESS STEEL 8.0 BRUSHED, WITHOUT GLUE STRIP

Length: 8.0 feet Pack: 1 pc.

h/in.	Part no.	\$/pc.
1 3/16 × 1 3/16	448-280-03025	93.59
1 3/8 × 1 3/8	448-280-04025	118.27
2 3/25 × 2 3/25	448-280-06025	142.89

STAINLESS STEEL 6.7 BRUSHED, WITHOUT GLUE STRIP

Length: 6.7 feet Pack: 1 pc.

h/in.	Part no.	\$/pc.
1 3/16 × 1 3/16	448-280-0302	78.83
1 3/8 × 1 3/8	448-280-0402	102.49
2 3/25 × 2 3/25	448-280-0602	125.04

STAINLESS STEEL 4.11 BRUSHED, WITHOUT GLUE STRIP

Length: 4.11 feet Pack: 1 pc.

h/in.	Part no.	\$/pc.
1 3/16 × 1 3/16	448-280-03015	56.17
1 3/8 × 1 3/8	448-280-04015	80.89
2 3/25 × 2 3/25	448-280-06015	88.97

BLANKE CORNER ANGLE PLUS

The BLANKE CORNER ANGLES are designed where tiled wall corners need to be protected from mechanical impact in industrial and professional environments. The stainless steel profile creates a strong edge with a clean and decorative finish for outside wall corners.



STAINLESS STEEL 8.0 BRUSHED, WITHOUT GLUE STRIP

Length: 8.0 feet Pack: 1 pc.

h/in.	Part no.	\$/pc.
1 3/16 × 1 3/16	451-280-03025	144.00
1 3/8 × 1 3/8	451-280-04025	176.01

STAINLESS STEEL 6.7 BRUSHED, WITHOUT GLUE STRIP

Length: 6.7 feet Pack: 1 pc.

h/in.	Part no.	\$/pc.
1 3/16 × 1 3/16	451-280-03020	112.32
1 3/8 × 1 3/8	451-280-04020	142.56

